

Junior Teakwood Folding Shower Seats

Rectangle with Legs

Configuration:

63 Series
with legs

Application Use:

Architectural

Commercial

Institutional

Residential

Specifications

Folding shower seat manufactured by Elcoma from 1" (25mm) diameter, 18 gauge and 1.25" x 1.25" (32mm x 32mm), 16 gauge, type 304 stainless steel tubing with #4 satin finish. Wall mount brackets shall be 12 gauge type 304 stainless steel. Slatted Teakwood seat shall be 1/2" (13mm) thick and shall be mildew resistant. Shower Seat shall comply with all applicable federal, provincial and local building safety codes.

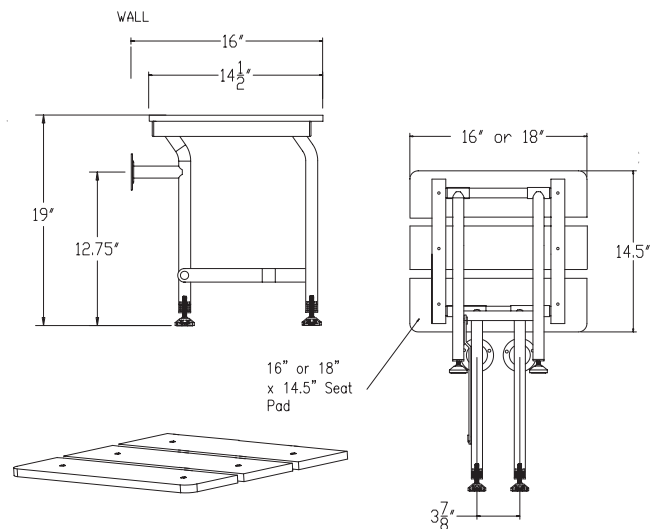
Natural Teakwood finish (yellowish / brownish wood color)



Custom sizes are available to suit special requirements.

16" x 16" (406mm x 406mm) Teakwood Model # 63-TK14516WLEG

18" x 16" (457mm x 406mm) Teakwood Model # 63-TK14518WLEG



Elcoma Shower Seats have been designed and tested to withstand 400lbs. (181kgs) of load when properly installed.* This exceeds HUD, FHA, VA, ADA, ANSI and other federal, provincial and local codes.
*Shower seats can only be as strong as what they are mounted to. It is imperative when installing any shower seat to consult with a qualified contractor to insure you have sufficient backing.