

Junior HDP Folding Shower Seats

Rectangle with Legs

Configuration:

63 Series
with legs

Application Use:

Architectural

Commercial

Institutional

Residential

Specifications

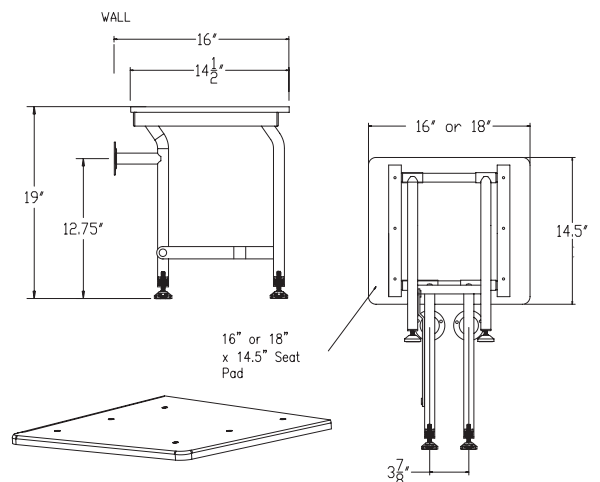
Folding shower seat manufactured by Elcoma from 1" (25mm) diameter, 18 gauge and 1.25" x 1.25" (32mm x 32mm), 16 gauge, type 304 stainless steel tubing with #4 satin finish. Wall mount brackets shall be 12 gauge type 304 stainless steel. Solid HDPE seat shall be 1/2" (13mm) thick and shall be mildew resistant. Shower Seat shall comply with all applicable federal, provincial and local building safety codes.

HDP - High Density Polyethelene marine grade polymer is an industry standard to withstand the harshest marine conditions. It will not rot or delaminate and is easy to clean.



Custom sizes are available to suit special requirements.

16" x 16" (406mm x 406mm)	White HDP	Model # 63-PO1451620WLEG
18" x 16" (457mm x 406mm)	White HDP	Model # 63-PO1451820WLEG



Elcoma Shower Seats have been designed and tested to withstand 400lbs. (181kgs) of load when properly installed.* This exceeds HUD, FHA, VA, ADA, ANSI and other federal, provincial and local codes.
*Shower seats can only be as strong as what they are mounted to. It is imperative when installing any shower seat to consult with a qualified contractor to insure you have sufficient backing.