

Adult Padded Folding Shower Seats

Rectangle

Configuration:

62 Series
Padded

Application Use:

Architectural

Commercial

Institutional

Residential

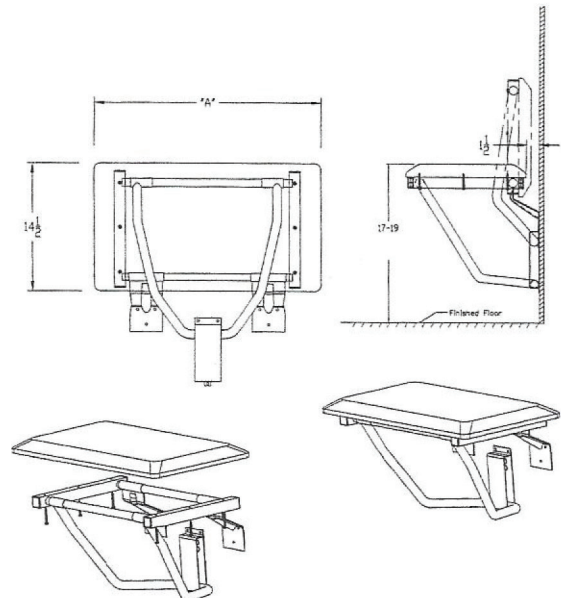
Specifications

Folding shower seat manufactured by Elcoma from 1" (25mm) diameter, 18 gauge and 1.25" x 1.25" (32mm x 32mm), 16 gauge, type 304 stainless steel tubing with #4 satin finish. Wall mount brackets shall be 12 gauge type 304 stainless steel. Padded vinyl cushion shall have 1.5" (38mm) high density, high resilience foam, covered with fire and mildew resistant, UV inhibited, marine grade naugahyde. Waterproof seam cushions shall have no external piping. Seat unit shall comply with all applicable federal, provincial and local building and safety codes.



Custom sizes are available to suit special requirements.

24" x 16" (609mm x 406mm)	White	Model # 62-PA2401
24" x 16" (609mm x 406mm)	Almond	Model # 62-PA2402
26" x 16" (660mm x 406mm)	White	Model # 62-PA2601
26" x 16" (660mm x 406mm)	Almond	Model # 62-PA2602
28" x 16" (711mm x 406mm)	White	Model # 62-PA2801
28" x 16" (711mm x 406mm)	Almond	Model # 62-PA2802
30" x 16" (762mm x 406mm)	White	Model # 62-PA3001
30" x 16" (762mm x 406mm)	Almond	Model # 62-PA3002
32" x 16" (812mm x 406mm)	White	Model # 62-PA3201
32" x 16" (812mm x 406mm)	Almond	Model # 62-PA3202
34.5" x 16" (876mm x 406mm)	White	Model # 62-PA34501
34.5" x 16" (876mm x 406mm)	Almond	Model # 62-PA34502



Elcoma Shower Seats have been designed and tested to withstand 400lbs. (182kgs) of load when properly installed.* This exceeds HUD, FHA, VA, ADA, ANSI and other federal, provincial and local codes.
*Shower seats can only be as strong as what they are mounted to. It is imperative when installing any shower seat to consult with a qualified contractor to insure you have sufficient backing.