

# Adult HDP Folding Shower Seats

## Rectangle

Configuration:

**62 Series**  
**HDP**

### Application Use:

Architectural

Commercial

Institutional

Residential

### Specifications

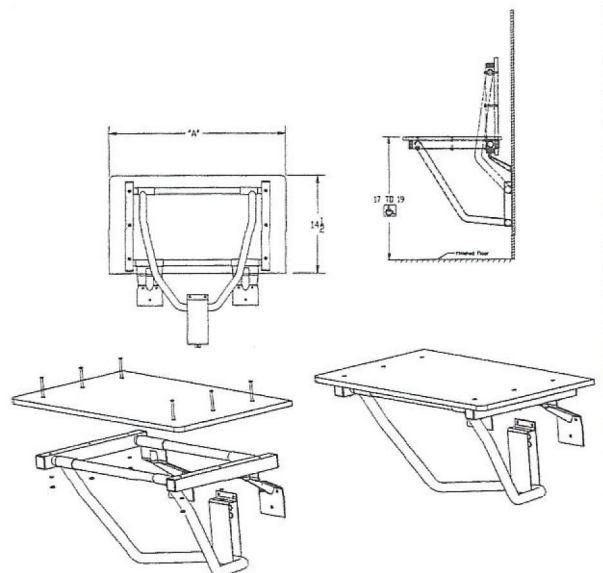
Folding shower seat manufactured by Elcoma from 1" (25mm) diameter, 18 gauge and 1.25" x 1.25" (32mm x 32mm), 16 gauge, type 304 stainless steel tubing with #4 satin finish. Wall mount brackets shall be 12 gauge type 304 stainless steel. Solid HDPE seat shall be 1/2" (13mm) thick and shall be mildew resistant. Shower Seat shall comply with all applicable federal, provincial and local building safety codes.

HDP - High Density Polyethelene marine grade polymer is an industry standard to withstand the harshest marine conditions. It will not rot or delaminate and is easy to clean.



### Custom sizes are available to suit special requirements.

24" x 16" (609mm x 406mm)	White HDP	Model # 62-PO2420
26" x 16" (660mm x 406mm)	White HDP	Model # 62-PO2620
28" x 16" (711mm x 406mm)	White HDP	Model # 62-PO2820
30" x 16" (762mm x 406mm)	White HDP	Model # 62-PO3020
32" x 16" (812mm x 406mm)	White HDP	Model # 62-PO3220
34.5" x 16" (876mm x 406mm)	White HDP	Model # 62-PO34520



Elcoma Shower Seats have been designed and tested to withstand 400lbs. (181kgs) of load when properly installed.\* This exceeds HUD, FHA, VA, ADA, ANSI and other federal, provincial and local codes.  
\*Shower seats can only be as strong as what they are mounted to. It is imperative when installing any shower seat to consult with a qualified contractor to insure you have sufficient backing.